

IEC Contactors

C-2000

Nonreversing and Reversing

DC Controlled, 3-Pole

HP Ratings AC-3 Duty

5-25 Hp (460V) Nonreversing Standard Terminals

Maximum Current @ 460 V (A) AC-3	1-Phase HP @60 Hz, 115V	1-Phase HP @60 Hz, 230V	3-Phase HP @60 Hz, 200V	3-Phase HP @60 Hz, 230V	3-Phase HP @60 Hz, 460V	3-Phase HP @60 Hz, 575V	kW @ 50 Hz, 380/415V	Auxiliary Contacts	Product Number ¹	List Price GO-10C2
10A	0.5	1.5	3	3	5	7.5	4	1NO	CL00D310T#	\$109.00
13.8A	0.75	2	3	3	7.5	10	5.5	1NO	CL01D310T#	\$133.00
17.5A	1	3	5	5	10	15	7.5	1NO	CL02D310T#	\$147.00
22A	1.5	3	5	7.5	15	15	11	1NO	CL25D310T# ²	\$166.00
32A	2	5	10	10	20	25	16	1NO	CL04D310M#	\$195.00
34A	3	5	10	10	25	25	18.5	1NO	CL45D310M# ²	\$252.00

¹To complete the contactor product number, replace the # in the product number with the appropriate digit from the Coil Selection table.

²A 1NO front mounted auxiliary contact block is supplied (unassembled) with contactors that begin with CL25 and CL45. Add suffix "S" to product number for 1NO-1NC side auxiliary (assembled), add \$11.00 GO-10C2 to list price (example: CL45D310MKS, list price \$252.00 + \$11.00 = \$263.00 GO-10C2).

5-10 Hp (460V) Nonreversing with Ring Terminal Capacity

Maximum Current @ 460 V (A) AC-3	1-Phase HP @60 Hz, 115V	1-Phase HP @60 Hz, 230V	3-Phase HP @60 Hz, 200V	3-Phase HP @60 Hz, 230V	3-Phase HP @60 Hz, 460V	3-Phase HP @60 Hz, 575V	kW @ 50 Hz, 380/415V	Auxiliary Contacts	Product Number ¹	List Price GO-10C2
10A	0.5	1.5	3	3	5	7.5	4	1NO	CL00D310R#	\$117.00
13.8A	0.75	2	3	3	7.5	10	5.5	1NO	CL01D310R#	\$141.00
17.5A	1	3	5	5	10	15	7.5	1NO	CL02D310R#	\$155.00

¹To complete the contactor product number, replace the # in the product number with the appropriate digit from the Coil Selection table.

5-25 Hp (460V) Reversing³ Standard Terminals

Maximum Current @ 460 V (A) AC-3	1-Phase HP @60 Hz, 115V	1-Phase HP @60 Hz, 230V	3-Phase HP @60 Hz, 200V	3-Phase HP @60 Hz, 230V	3-Phase HP @60 Hz, 460V	3-Phase HP @60 Hz, 575V	kW @ 50 Hz, 380/415V	Auxiliary Contacts	Product Number ¹	List Price GO-10C2
10A	0.5	1.5	3	3	5	7.5	4	1NO	LDR00A#	\$290.00
13.8A	0.75	2	3	3	7.5	10	5.5	1NO	LDR01A#	\$337.00
17.5A	1	3	5	5	10	15	7.5	1NO	LDR02A#	\$366.00
22A	1.5	3	5	7.5	15	15	11	1NO	LDR25A# ⁴	\$399.00
32A	2	5	10	10	20	25	16	1NO	LDR04A#	\$495.00
34A	3	5	10	10	25	25	18.5	1NO	LDR45A# ⁴	\$609.00

¹To complete the contactor product number, replace the # in the product number with the appropriate digit from the Coil Selection table.

³Reversing contactor consists of two (2) contactors, a mechanical interlock (BEL02) with built-in NC cross electrical contact, power wiring and cross electrical wiring and holding interlock.

⁴Reversing contactors with prefixes LDR25A and LDR45A supplied with 1NO front-mounted holding interlock mounted on each contactor. Add suffix "S" to product number for 1NO-1NC side auxiliary (assembled), add \$22.00 GO-10C2 to list price (example: LDR25AKS, list price \$399.00 + \$22.00 = \$421.00 GO-10C2).

(Replace crosshatch (#) in product number with appropriate digit from table below.)

Coil Selection Table

(CL00, CL01, CL02, CL25, CL04, CL45)

DC Voltage	#Coil Suffix
12	B
24	D
48	G
125	K
250	T

Note: Additional coils available, see page 5-50.



IEC Power Devices

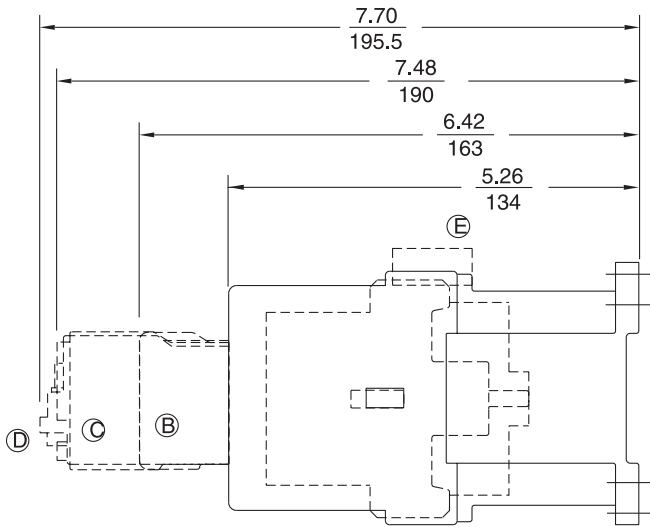
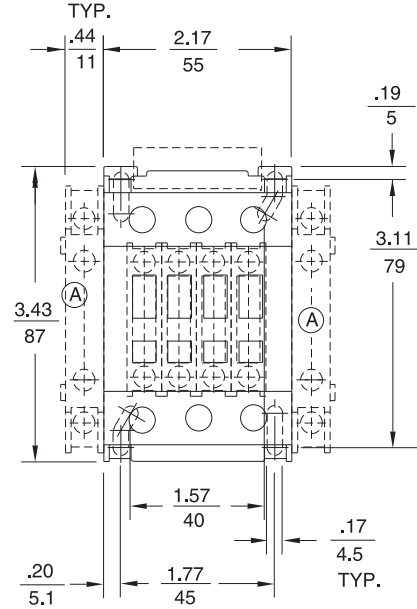
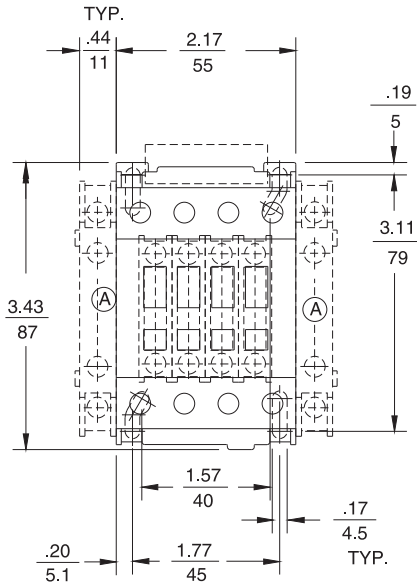
IEC Contactors Dimensions

C-2000

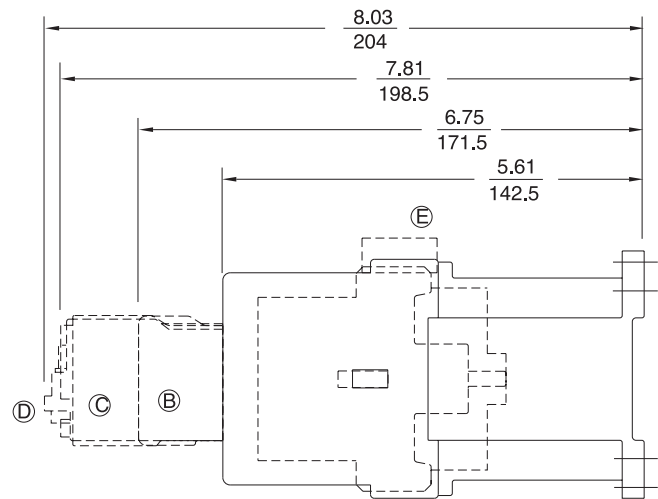
Outlines and Dimensions ($\frac{\text{in}}{\text{mm}}$) For Estimating Only

Section 5

Contactor Front View and DC Contactor Side View



CL04D310M*



CL45D310M*

Legend and Notes

- A Extra Auxiliary Contacts, Side Mounted (if used)
 - B Extra Auxiliary Contacts, Front Mounted (if used)
 - C Pneumatic Timer (if used)
 - D Mechanical Latch (if used)
 - E Transient Voltage Suppressor
- Add 1/2 inch for electrical clearance to enclosure.



Product Number Selection Instructions: See page 5-37