



3-Pole Contactors

25 HP (460V)

34 FLA

Contactor catalog numbers are shown in the shaded area in the **Contactor Selection and Data** table. To complete the catalog number, replace the asterisk (*) with the appropriate digit from the shaded area in the **Coil Selection** table. Additional coil information is shown in the **Coil Data** table.

Contactor Selection and Data		25 hp @ 460V AC-3 (18.5 kW @ 380/415V, 50 Hz)
AC Contactors	Full Voltage Non-Reversing	CL45A310M*
	Reversing	LAR45A*
DC Contactors	Full Voltage Non-Reversing	CL45D310M*
	Reversing	LDR45A*
Aux. Contacts	Maximum Aux. Contacts	6
	Maximum Contact Block Configuration	4 Front-Mount plus 1 Side-Mount, or 2 Front-Mount plus 1 Side-Mount on each side
Aux. Contacts (A600, Q600) ¹		1NO
Continuous Amp Rating (UL)		55
AC-1 Amperes (IEC)		60
AC-2/AC-3	Max. FLA	
	480 Volts	34
	600 Volts	27
	Max. Hp (1-Phase)	
	115 Volts	3
	230 Volts	5
AC-2/AC-3	Max. Hp (3-Phase)	
	200 Volts	10
	230 Volts	10
	460 Volts	25
	575 Volts	25
AC-4 Max. Hp	200 Volts	10
	230 Volts	10
	460 Volts	25
	575 Volts	25
Mechanical Life (millions of operations)		20
Elec. Endurance (AC-3) At Rated Current (millions of operations)		2
Maximum Operational Current 460V and Below	AC-1 ≤ 1200 ops./hour	55
	3000 ops./hour	27.5
	AC-3 ≤ 1200 ops./hour	34
	3000 ops./hour	11.9
	AC-4 360 ops./hour max	34
Net Weight	Contactor	1 lb. 4 oz.
	Class 10 Overload Relay	7 oz.
Wire Size - Power Terminals 75°C (Cu) AWG		14-8
Torque (Main) in.-lb.		16
Noise (dba)		35

Coil Selection

AC Voltage		DC Voltage	Coil * Suffix
60 Hz	50 Hz		
24	24	—	1
—	—	12	B
—	—	24	D
48	42	—	F
—	—	48	G
120	110	—	J
—	—	125	K
208	—	—	L
277	220/230	—	M
240	—	—	S
—	—	250	T
480	380/400	—	U
—	415	—	W
600	500	—	Y

Coil Data

	AC Voltage	DC Voltage
Burden		
Inrush	88 VA	7.5 W
Holding	9 VA	7.5 W
Pick-up Voltage (% Of Coil Volts)	85-110	80-110
Drop-Out Voltage (% Of Coil Volts)	40-55	15-30
Switching Delay (ms)		
Switching Delay On		
Coil Voltage at +10% to -20%	7-25	35-70
Coil Voltage At Rated Value	10-19	40-55
Switching Delay Off		
Coil Voltage at +10% to -20%	5-25	40-65
Coil Voltage At Rated Value	5-25	40-65
Maximum Operations per Hour		
No Load	9000	3600
Rated Load — AC1, AC3	1200	1200
Rated Load — AC4	360	360

REFERENCES

Standards and Listings	Page 41
Overload Relays	Pages 26-29
Accessories	Pages 30-37
Life Curves	Pages 42-44
Additional Coil Information	Page 37
Instruction Sheet	GEH-6224
UL File Number	E76233
CSA File Number	LR30821

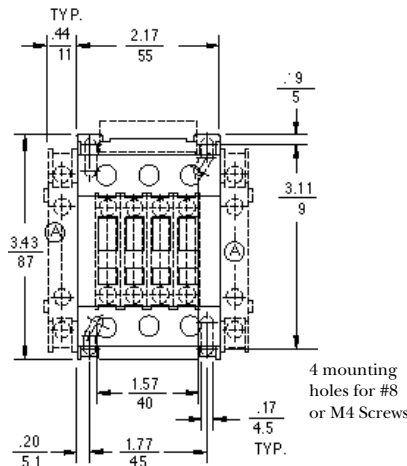
¹ A Front-Mount auxiliary contact is supplied.
Add the suffix "S" to catalog number for Side-Mount auxiliary contact.

3-Pole Contactors 25 HP (460V) 34 FLA

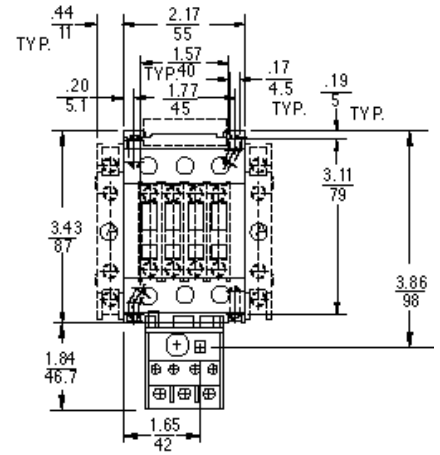
Legend and Notes for Illustration

- Ⓐ Extra Auxiliary Contacts, Side Mounted (if used)
- Ⓑ Extra Auxiliary Contacts, Front Mounted (if used)
- Ⓒ Pneumatic Timer (if used)
- Ⓓ Mechanical Latch (if used)
- Ⓔ Transient Voltage Suppressor

Add ½ inch for electrical clearance to enclosure.



Contactor - Front View



Starter - Front View

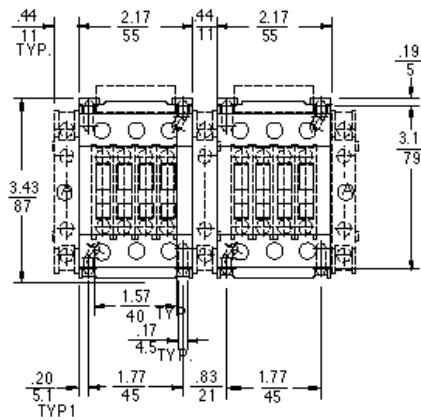
Engineering Outline Drawings

AC

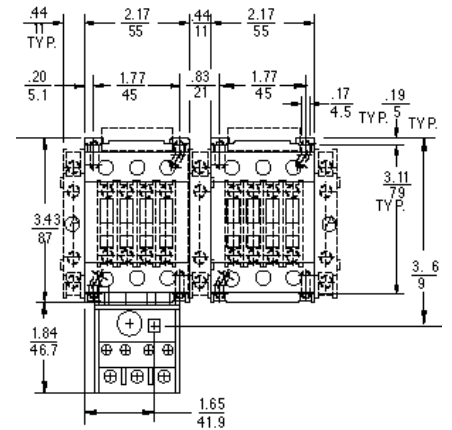
Contactor	55-215789
Starter	55-215827
Reversing Contactor	55-215800
Reversing Starter	55-215801

DC

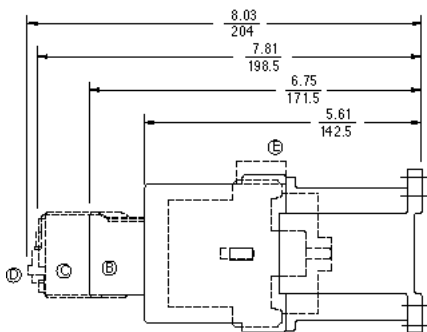
Contactor	55-215838
Starter	55-215870
Reversing Contactor	55-215778
Reversing Starter	55-215815



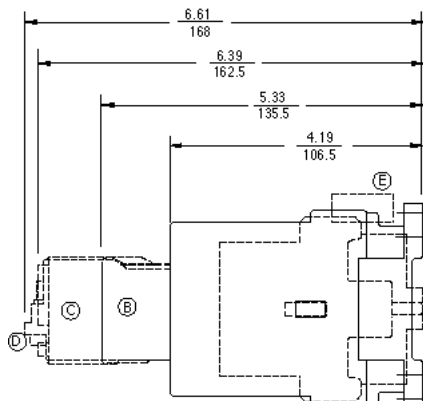
Reversing Contactor - Front View



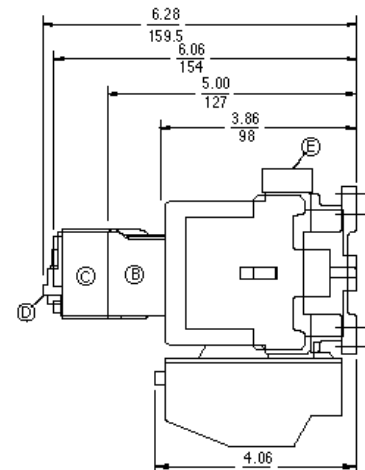
Reversing Starter - Front View



DC Contactor - Side View



AC Contactor - Side View



AC Starter - Side View