

IEC Contactors

C-2000

Nonreversing and Reversing

AC Controlled, 3-Pole

HP Ratings AC-3 Duty



5-75 Hp (460V) Nonreversing Standard Terminals

Maximum Current @ 460 V (A) AC-3	1-Phase HP @60 Hz, 115V	1-Phase HP @60 Hz, 230V	3-Phase HP @60 Hz, 200V	3-Phase HP @60 Hz, 230V	3-Phase HP @60 Hz, 460V	3-Phase HP @60 Hz, 575V	kW @ 50 Hz, 380/415V	Auxiliary Contacts	Product Number ¹	List Price GO-10C2
10A	0.5	1.5	3	3	5	7.5	4	1NO	CL00A310T*	\$86.00
13.8A	0.75	2	3	3	7.5	10	5.5	1NO	CL01A310T*	\$109.00
17.5A	1	3	5	5	10	15	7.5	1NO	CL02A310T*	\$124.00
22A	1.5	3	5	7.5	15	15	11	1NO	CL25A310T* ²	\$138.00
32A	2	5	10	10	20	25	16	1NO	CL04A310M*	\$157.00
34A	3	5	10	10	25	25	18.5	1NO	CL45A310M* ²	\$173.00
48A	3	7.5	15	15	30	40	22	1NO-1NC	CL06A311M* ³	\$200.00
62A	5	10	20	20	40	50	30	1NO-1NC	CL07A311M* ³	\$240.00
68A	5	15	20	25	50	60	37	1NO-1NC	CL08A311M* ³	\$295.00
80A	7.5	15	25	30	60	75	45	1NO-1NC	CL09A311M* ³	\$333.00
96A	10	20	30	40	75	75	55	1NO-1NC	CL10A311M* ³	\$475.00

¹To complete the contactor product number, replace * in the product number with the appropriate digit from the Coil Selection table.

²A 1NO front mounted auxiliary contact block is supplied (unassembled) with contactors that begin with CL25 and CL45. Add suffix "S" to product number for 1NO-1NC side auxiliary (assembled), add \$11.00 GO-10C2 to list price (example: CL45A310MJS, list price \$173.00 + \$11.00 = \$184.00 GO-10C2).

³A 1NO and 1NC front-mounted auxiliary contact block are supplied (unassembled) with contactors that begin with CL06, CL07, CL08, CL09, and CL10. Add suffix "S" to product number for 1NO-1NC side auxiliary (assembled), no addition in price adder.

5-10 Hp (460V) Nonreversing with Ring Terminal Capacity

Maximum Current @ 460 V (A) AC-3	1-Phase HP @60 Hz, 115V	1-Phase HP @60 Hz, 230V	3-Phase HP @60 Hz, 200V	3-Phase HP @60 Hz, 230V	3-Phase HP @60 Hz, 460V	3-Phase HP @60 Hz, 575V	kW @ 50 Hz, 380/415V	Auxiliary Contacts	Product Number ¹	List Price GO-10C2
10A	0.5	1.5	3	3	5	7.5	4	1NO	CL00A310R*	\$94.00
13.8A	0.75	2	3	3	7.5	10	5.5	1NO	CL01A310R*	\$117.00
17.5A	1	3	5	5	10	15	7.5	1NO	CL02A310R*	\$132.00

¹To complete the contactor product number, replace * in the product number with the appropriate digit from the Coil Selection table.

5-75 Hp (460V) Reversing Standard Terminals

Maximum Current @ 460 V (A) AC-3	1-Phase HP @60 Hz, 115V	1-Phase HP @60 Hz, 230V	3-Phase HP @60 Hz, 200V	3-Phase HP @60 Hz, 230V	3-Phase HP @60 Hz, 460V	3-Phase HP @60 Hz, 575V	kW @ 50 Hz, 380/415V	Auxiliary Contacts	Product Number ¹	List Price GO-10C2
10A	0.5	1.5	3	3	5	7.5	4	1NO	LAR00A*	\$247.00
13.8A	0.75	2	3	3	7.5	10	5.5	1NO	LAR01A*	\$293.00
17.5A	1	3	5	5	10	15	7.5	1NO	LAR02A*	\$323.00
22A	1.5	3	5	7.5	15	15	11	1NO	LAR25A* ⁴	\$351.00
32A	2	5	10	10	20	25	16	1NO	LAR04A*	\$419.00
34A	3	5	10	10	25	25	18.5	1NO	LAR45A* ⁴	\$451.00
48A	3	7.5	15	15	30	40	22	1NO-1NC	LAR06A* ⁵	\$545.00
62A	5	10	20	20	40	50	30	1NO-1NC	LAR07A* ⁵	\$625.00
68A	5	15	20	25	50	60	37	1NO-1NC	LAR08A* ⁵	\$735.00
80A	7.5	15	25	30	60	75	45	1NO-1NC	LAR09A* ⁵	\$861.00
96A	10	20	30	40	75	75	55	1NO-1NC	LAR10A* ⁵	\$1145.00

¹To complete the contactor product number, replace * in the product number with the appropriate digit from the Coil Selection table.

⁴Reversing contactors with prefixes LAR25 and LAR45 supplied with 1NO front-mounted holding interlock mounted on each contactor. Add suffix "S" to product number for 1NO-1NC side auxiliary (assembled), add \$22.00 GO-10C2 to list price (example: LAR25AJS, list price \$351.00 + \$22.00 = \$373.00 GO-10C2).

⁵Reversing contactors with prefixes LAR06, LAR07, LAR08, LAR09, and LAR10 supplied with 1NO and 1NC front-mounted auxiliary on each contactor. Add suffix "S" to product number for 1NO-1NC side auxiliary, no additional price adder.

(Replace asterisk (*) in product number with appropriate digit from table below.)

Coil Selection Table

AC Voltage	50 Hz	*Coil Suffix
60 Hz		
24	24	1
48	42	F
120	110	J
208	—	L
277	220/230	N
240	—	S
480	380/400	U
—	415	W
600	500	Y

Note: Additional coils available, see page 5-50

Product Number Selection Instructions: See page 5-37



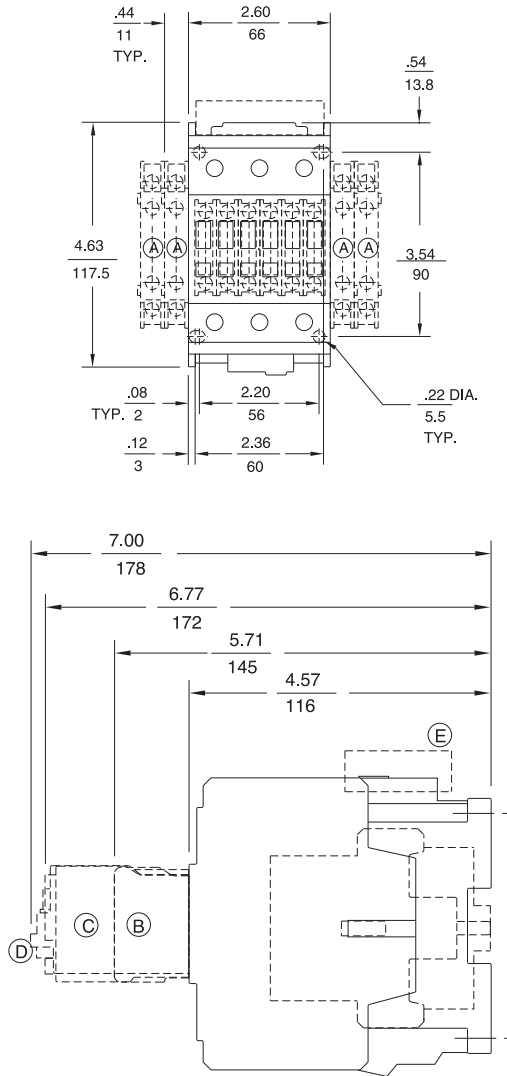
IEC Power Devices

IEC Contactors Dimensions

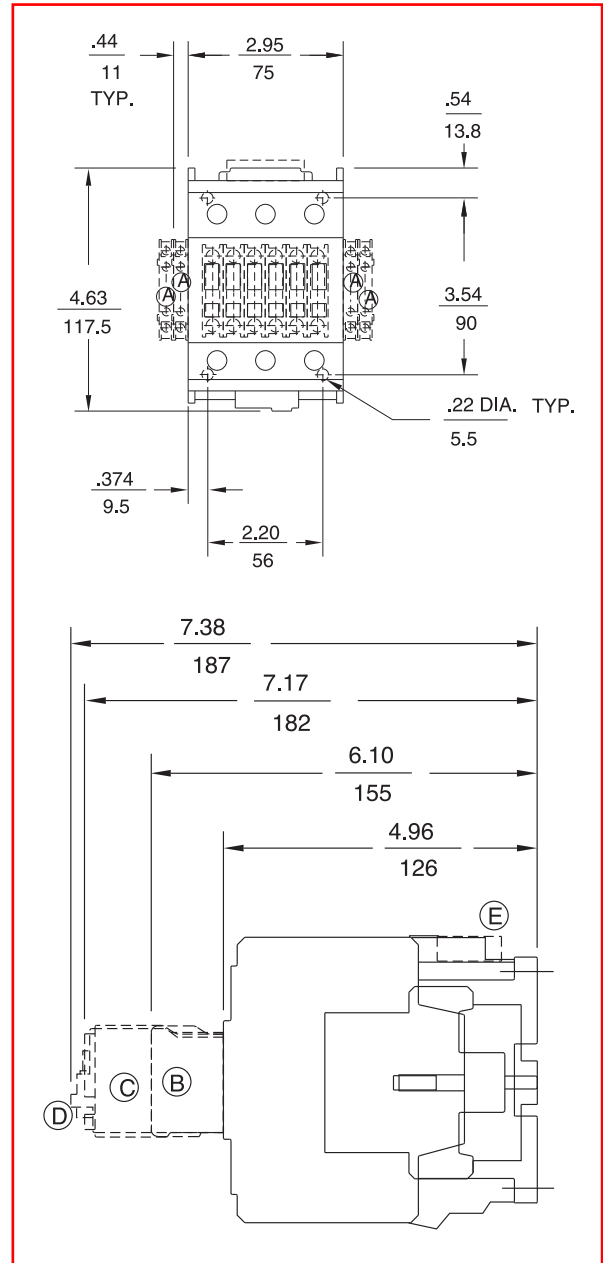
C-2000

Outlines and Dimensions (mm) For Estimating Only

Contactor Front View and AC Contactor Side View



CL06A311M*, CL07A311M*, CL08A311M*



CL09A311M*, CL10A311M*

Legend and Notes

- A Extra Auxiliary Contacts, Side Mounted (if used)
 - B Extra Auxiliary Contacts, Front Mounted (if used)
 - C Pneumatic Timer (if used)
 - D Mechanical Latch (if used)
 - E Transient Voltage Suppressor
- Add 1/2 inch for electrical clearance to enclosure.

