

## IEC Contactors

## C-2000

## Nonreversing and Reversing

## AC/DC Controlled, 3-Pole

## HP Ratings AC-3 Duty

## 30-75 Hp (460V) Nonreversing Standard Terminals

Maximum Current @ 460 V (A) AC-3	1-Phase HP @ 60 Hz, 115V	1-Phase HP @ 60 Hz, 230V	3-Phase HP @ 60 Hz, 200V	3-Phase HP @ 60 Hz, 230V	3-Phase HP @ 60 Hz, 460V	3-Phase HP @ 60 Hz, 575V	kW @ 50 Hz, 380/415V	Auxiliary Contacts	Product Number <sup>1</sup>	List Price GO-10C2
48A	3	7.5	15	15	30	40	22	1NO 1NC	CL06E311M† <sup>2</sup>	\$265.00
62A	5	10	20	20	40	50	30	1NO 1NC	CL07E311M† <sup>2</sup>	\$279.00
68A	5	15	20	25	50	60	37	1NO 1NC	CL08E311M† <sup>2</sup>	\$364.00
80A	7.5	15	25	30	60	75	45	1NO 1NC	CL09E311M† <sup>2</sup>	\$404.00
96A	10	20	30	40	75	75	55	1NO 1NC	CL10E311M† <sup>2</sup>	\$520.00

<sup>1</sup>To complete the contactor product number, replace the † in the product number with the appropriate digit from the Coil Selection table.

<sup>2</sup>**Nonreversing:** A 1NO and 1NC front-mounted auxiliary contact block are supplied (unassembled) with contactors that begin with CL06, CL07, CL08, CL09 and CL10. Add suffix "S" to product number for 1NO-1NC side auxiliary (assembled), no addition price adder.

## 30-75 Hp (460V) Reversing Standard Terminals

Maximum Current @ 460 V (A) AC-3	1-Phase HP @ 60 Hz, 115V	1-Phase HP @ 60 Hz, 230V	3-Phase HP @ 60 Hz, 200V	3-Phase HP @ 60 Hz, 230V	3-Phase HP @ 60 Hz, 460V	3-Phase HP @ 60 Hz, 575V	kW @ 50 Hz, 380/415V	Auxiliary Contacts	Product Number <sup>1</sup>	List Price GO-10C2
48A	3	7.5	15	15	30	40	22	1NO 1NC	LER06A† <sup>3</sup>	\$675.00
62A	5	10	20	20	40	50	30	1NO 1NC	LER07A† <sup>3</sup>	\$703.00
68A	5	15	20	25	50	60	37	1NO 1NC	LER08A† <sup>3</sup>	\$873.00
80A	7.5	15	25	30	60	75	45	1NO 1NC	LER09A† <sup>3</sup>	\$1003.00
96A	10	20	30	40	75	75	55	1NO 1NC	LER10A† <sup>3</sup>	\$1235.00

<sup>1</sup>To complete the contactor product number, replace the † in the product number with the appropriate digit from the Coil Selection table.

<sup>3</sup>**Reversing:** Reversing contactors with prefixes LER06, LER07, LER08, LER09, and LER10 supplied with 1NO and 1NC front-mounted auxiliary on each contactor. Add suffix "S" to product number for 1NO-1NC side auxiliary, no additional price adder.

(Replace dagger (†) in product number with appropriate digit from table below.)

## Coil Selection Table

## (CL06, CL07, CL08, CL09, CL10)

AC/DC Voltage	†Coil Suffix
24-28	D
42-48	F
110-127	J
220-250	N
380-415	U
440-500	Y



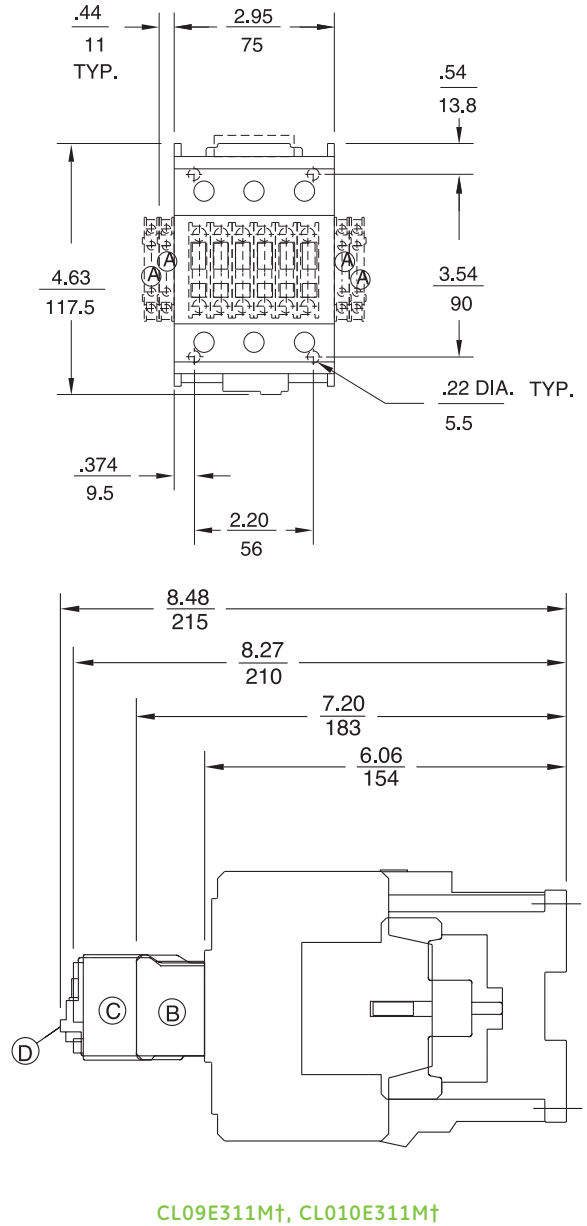
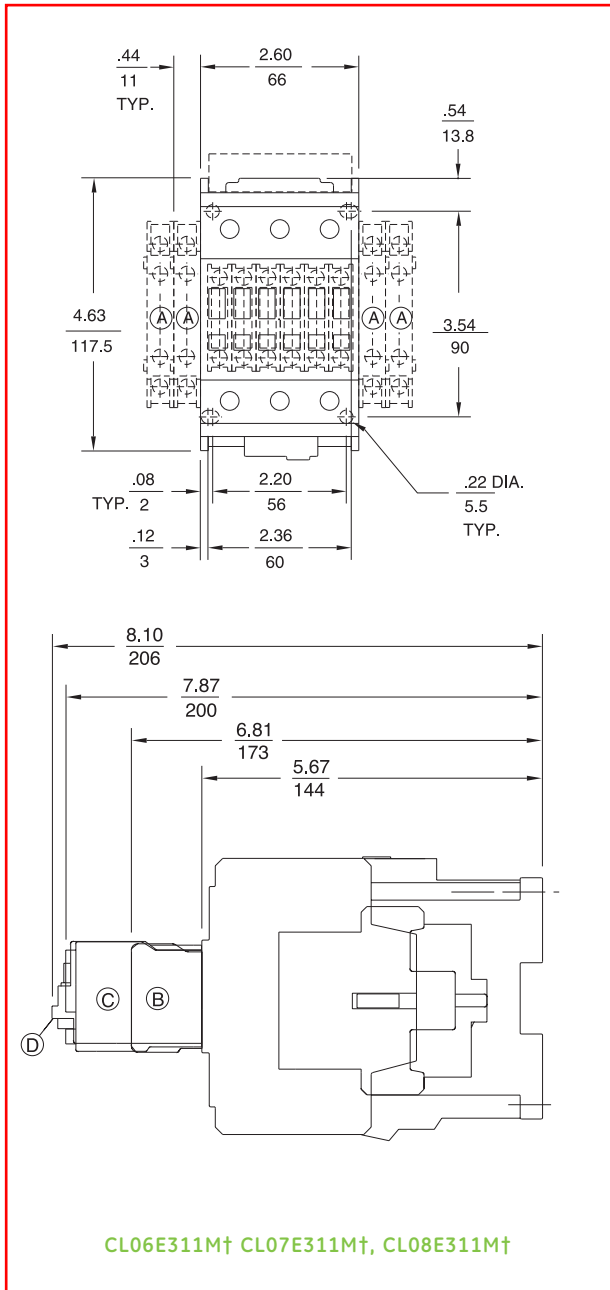
# IEC Power Devices

## IEC Contactors Dimensions

### C-2000

Outlines and Dimensions (mm) For Estimating Only

#### Contactor Front View and AC/DC Contactor Side View



#### Legend and Notes

- A Extra Auxiliary Contacts, Side Mounted (if used)
  - B Extra Auxiliary Contacts, Front Mounted (if used)
  - C Pneumatic Timer (if used)
  - D Mechanical Latch (if used)
  - E Transient Voltage Suppressor
- Add 1/2 inch for electrical clearance to enclosure.

