

# IEC Power Control

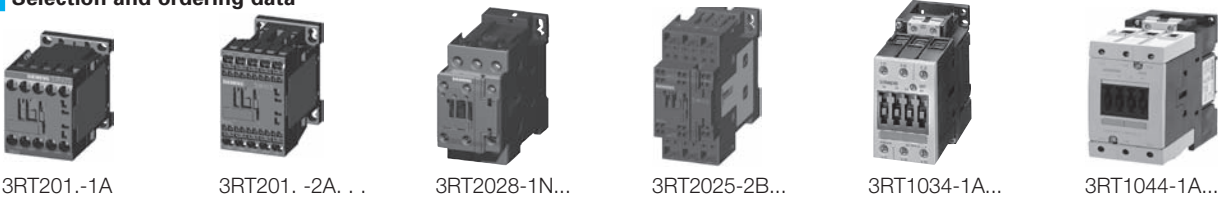
## Contactors for Switching Motors

SIRIUS



**3RT contactors, 3-pole**  
Size S00 to S3

### Selection and ordering data



Frame Size	Amp Ratings		Single-phase HP ratings			Three-phase HP ratings				Auxiliary contacts		Screw Terminals	Spring-Loaded Terminals	Weight approx. kg
	AC3	AC1	115V	208V	230V	208V	230V	460V	575V	NO	NC	Order No.	Order No.	
<b>3RT 3-pole contactors</b>														
S00	7	18	0.25	0.5	0.75	1.5	2	3	5	1	0	3RT2015-1□●●1	3RT2015-2□●●1	0.24/0.29
	9	22	0.33	1	1	2	3	5	7.5	0	1	3RT2015-1□●●2	3RT2015-2□●●2	
	12	22	0.5	1.5	2	3	3	7.5	10	1	0	3RT2016-1□●●1	3RT2016-2□●●1	
	16	22	1	2	2	3	5	10	10	0	1	3RT2016-1□●●2	3RT2016-2□●●2	
S0	9	40	1	1	1	2	3	5	7.5	1	1	3RT2017-1□●●1	3RT2017-2□●●1	0.42/0.60
	12	40	1	2	2	3	3	7.5	10	1	1	3RT2017-1□●●2	3RT2017-2□●●2	
	16	40	1	2	3	5	5	10	15	1	1	3RT2018-1□●●1	3RT2018-2□●●1	
	25	40	2	3	3	7.5	7.5	15	20	1	1	3RT2018-1□●●2	3RT2018-2□●●2	
	32	50	2	5	5	10	10	20	25	1	1	3RT2023-1□●●0	3RT2023-2□●●0	
	38	50	3	5	5	10	10	25	25	1	1	3RT2024-1□●●0	3RT2024-2□●●0	
S2	28	50	2	3	5	7.5	10	20	25	0	0	3RT2025-1□●●0	3RT2025-2□●●0	0.85/1.45
	32	50	2	5	5	10	10	25	30	0	0	3RT2026-1□●●0	3RT2026-2□●●0	
	40	60	3	5	7.5	10	15	30	40	0	0	3RT2027-1□●●0	3RT2027-2□●●0	
	50	60	3	7.5	10	15	15	40	50	0	0	3RT2028-1□●●0	3RT2028-2□●●0	
S3	65	100	5	10	15	20	25	50	60	0	0	3RT1033-1□●●0	3RT1033-3□●●0	1.8/2.8
	80	120	7.5	15	15	25	30	60	75	0	0	3RT1034-1□●●0	3RT1034-3□●●0	
	95	120	10	15	20	30	30	75	100	0	0	3RT1035-1□●●0	3RT1035-3□●●0	
												□	□	
												AC Coil = A	A	
												DC Coil = B	B	
												UC Coil = N	N	
<b>Size S0 only: UC Electronic with integrated varistor</b>														

NEMA Size	Amp Ratings	Single-phase HP ratings			Three-phase HP ratings				Auxiliary contacts		Screw Terminals with AC coil	Spring Terminals with 24 VDC coil	Weight approx. kg
		115V	208V	230V	208V	230V	460V	575V	NO	NC	Order No.	Order No.	
<b>NEMA Labeled Contactors</b>													
0	16	1	2	2	3	5	10	10	1	0	3RT2018-1A□●●1-0UA0	3RT2018-1BB41-0UA0	0.28
1	25	2	3	3	7.5	7.5	15	20	1	1	3RT2018-1A□●●0-0UA0	3RT2018-1BB40-0UA0	0.46 / 0.58
2	45	3	7.5	7.5	10	15	25	25	0	0	3RT1036-1A□●●0-0UA0	3RT1036-1BB40-0UA0	0.85 / 1.45
3	90	10	15	20	25	30	50	50	0	0	3RT1046-1A□●●0-0UA0	3RT1046-1BB40-0UA0	1.8 / 2.8

1 All terminals are spring loaded on frame sizes S00 & S0.  
Only the coil terminals are spring loaded on frame sizes S2 & S3.

Note: Ring lug terminals are also available in size S00 & S0 contactors, except contactors with communication interface or UC coil. Change the 8th digit of the order number to a "4", e. g. 3RT2015-4AK61.

For further coil voltages, see page 2/49.  
For auxiliaries and accessories, see page 2/65-2/80.  
For spare parts, see page 2/82-2/86.  
For technical data, see page 2/108-2/129.  
For description, see page 2/91-2/92.  
For int. circuit diagrams, see page 2/177-2/184.  
For dimension drawings, see page 2/196-2/199.

### AC coil selection for 3RT201 through 3RT104.-.□ = A

Coil Code	C2 <sup>2)</sup>	H2 <sup>3)</sup>	K6	P6	U6	V6	T6
60 Hz	24	48	120	240	277	480	600
50 Hz	24	48	110	220	—	—	—

<sup>2)</sup> Use code B0 for 3RT201 (S00)  
<sup>3)</sup> Use code H0 for 3RT201 (S00)

### DC coil selection for 3RT201 through 3RT104.-.□ = B

Coil Code	A4 <sup>4)</sup>	B4	W4	E4	F4	G4	M4
DC	12 V	24 V	48 V	60 V	110 V	125 V	220 V

<sup>4)</sup> For 3RT201 (S00) only

### UC coil selection for 3RT201 through 3RT104.-.□ = N

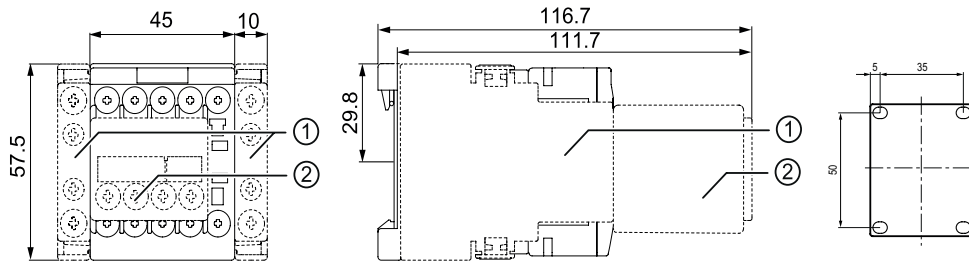
Coil Code	B3	F3	P3 <sup>5)</sup>
UC	21-28 V	95-130 V	200-280 V

<sup>5)</sup> At upper limit = 1.1 x U<sub>s</sub>

## 3RT20 contactors, 3-pole

### Dimension drawings

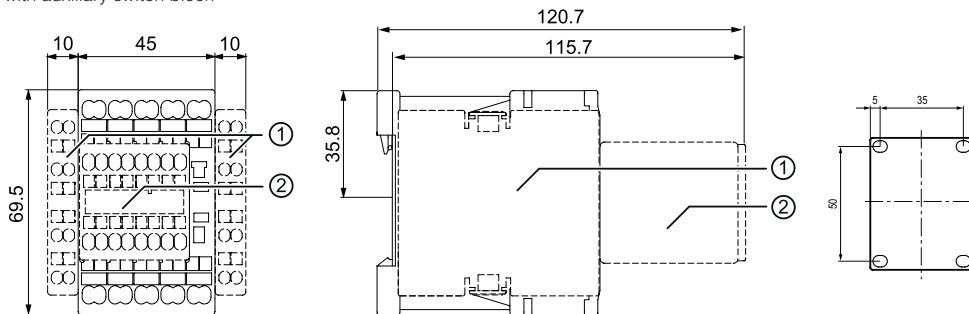
**3RT2.1.-1 contactor and 3RH21...-1 contactor relays**  
Size S00 and NEMA Size 0, screw connection  
with surge suppressor and auxiliary switch block



Lateral clearance from  
earthed parts = 6 mm

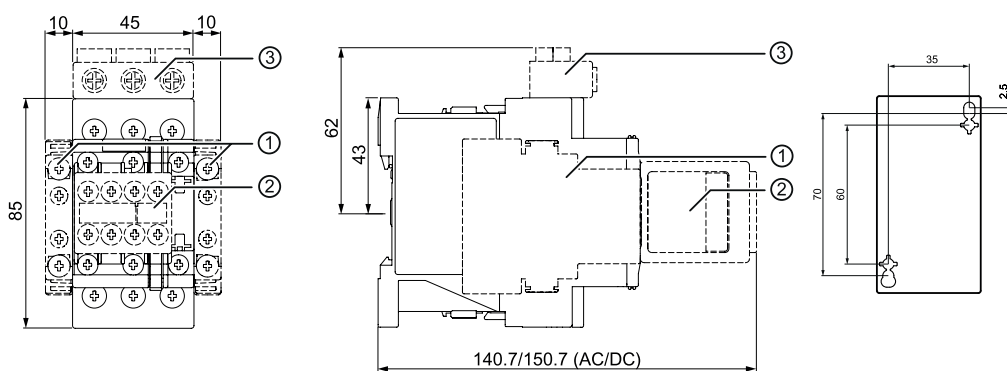
- 1) Laterally mountable auxiliary switch block  
3RH2911-1DA.. / -1DE.. / -1EE..
- 2) Auxiliary switch block for mounting on the front  
3RH2911-1FA.. / -1GA.. / -1HA.. / -1NF..

**3RT2.1.-2 contactor and 3RH21...-2 contactor relay**  
Size S00, Spring-type terminal connection  
with auxiliary switch block



- 1) Laterally mountable auxiliary switch block  
3RH2911-2DA.. / -2DE.. / -2EE..
- 2) Auxiliary switch block for mounting on the front  
3RH2911-2FA.. / -2GA.. / -2HA.. / -2NF..

**3RT2.2.-1 contactors Size S0 and NEMA Size 1,**  
(screw-type connection system) with auxiliary switch blocks  
mounted and other accessories



- 1) Laterally mountable auxiliary switch block  
3RH2921-1DA.. / -1DE..
- 2) Auxiliary switch block for mounting on the front  
3RH2911-1FA.. / -1GA.. / -1HA.. / -1NF..
- 3) 3-phase infeed terminal  
3RV2925-5AB

For specific dimensions, 2D / 3D CAD files and technical data, please visit [www.siemens.com/cax](http://www.siemens.com/cax)